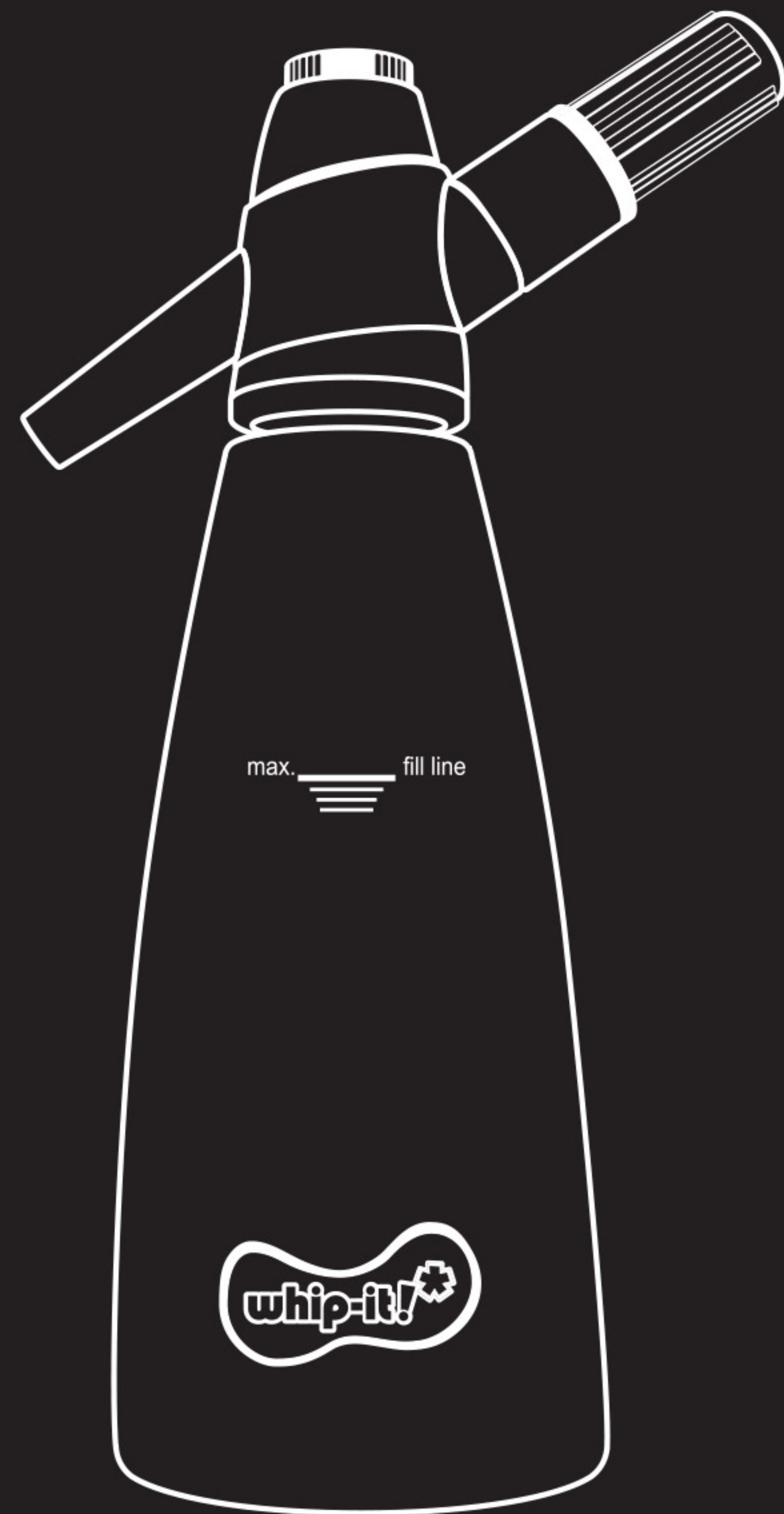


whip-it!



SODA SIPHON INSTRUCTIONS

INSTRUCTIONS

1. If using the soda siphon for the first time or after a long period between usage, thoroughly wash the bottle and head with mild detergent and warm water, then with cold water to cool down. **Helpful Hint:** To thoroughly chill the bottle, place it in the refrigerator for 10–15 mins.
2. Place the measuring tube **(Fig 1)** inside the bottle neck until it is secure.
3. Fill the bottle with well-chilled drinking water to the Fill Line or the bottom of the Measuring Tube. **DO NOT exceed the maximum Fill Line on the bottle.** **Helpful Hint:** Colder temperatures produce the best results for carbonation. Always dissolve any solids (i.e. sugar) first before filling the bottle. Do not mix other ingredients inside such as syrups or juices. Those can be prepared separately in a drinking glass or pitcher. Avoid using (or strain out) any insoluble ingredients such as seeds and pulp, as they will prevent closure of the piston valve and impair proper functioning of the siphon. **Please note that only the stainless-steel models are suitable to carbonate liquids other than flavored water, such as juices and alcohol.**
4. Place the sealing tube gasket with straw **(Fig 2)** inside the bottle neck and screw the head onto the bottle evenly and firmly until no thread is visible **(Fig 3)**.
5. Unscrew the thread cap, then insert the Whip-It! soda charger (CO₂) into the charger holder **(Fig 4)**. Screw the charger holder onto the inlet valve until you hear a hissing sound, indicating that you have fully released the contents of the charger into the siphon **(Fig 5)**. **Safety Note: Use one charger for 1-liter soda siphons. Never use more chargers than specified.** As a precaution, position the siphon tip away from you and others when completing this step.
6. Unscrew the charger holder **(Fig 5)** (you may hear a slight hissing sound) and remove the soda charger. Screw the charger holder back on or use the thread cap. Shake the siphon briskly 4–5 times in a vertical motion **(Fig 6)**.

7. To dispense, **gently** squeeze the lever to release the carbonated contents into a glass. As you approach the bottom of the contents, **DO NOT** tip the soda siphon to dispense. For best results, place the siphon on a countertop or table, keep stationary, then press the lever to fully dispense the entire contents. Serve immediately upon dispensing.

CLEANING & STORAGE

1. Make sure all the pressure has been released from the siphon by pressing down on the lever before removing the head.
2. Unscrew the head from the bottle and lift to remove the Sealing Tube Gasket with Straw. Use the Fork Puller to remove the Measuring Tube.
3. Thoroughly hand wash the components with warm water and mild detergent. Allow all the parts to air dry completely before storing. Store the bottle and head separately. For stainless steel models: Only the bottle is dishwasher safe. Never store the siphon in the freezer or deep-freezing compartment.

WARRANTY

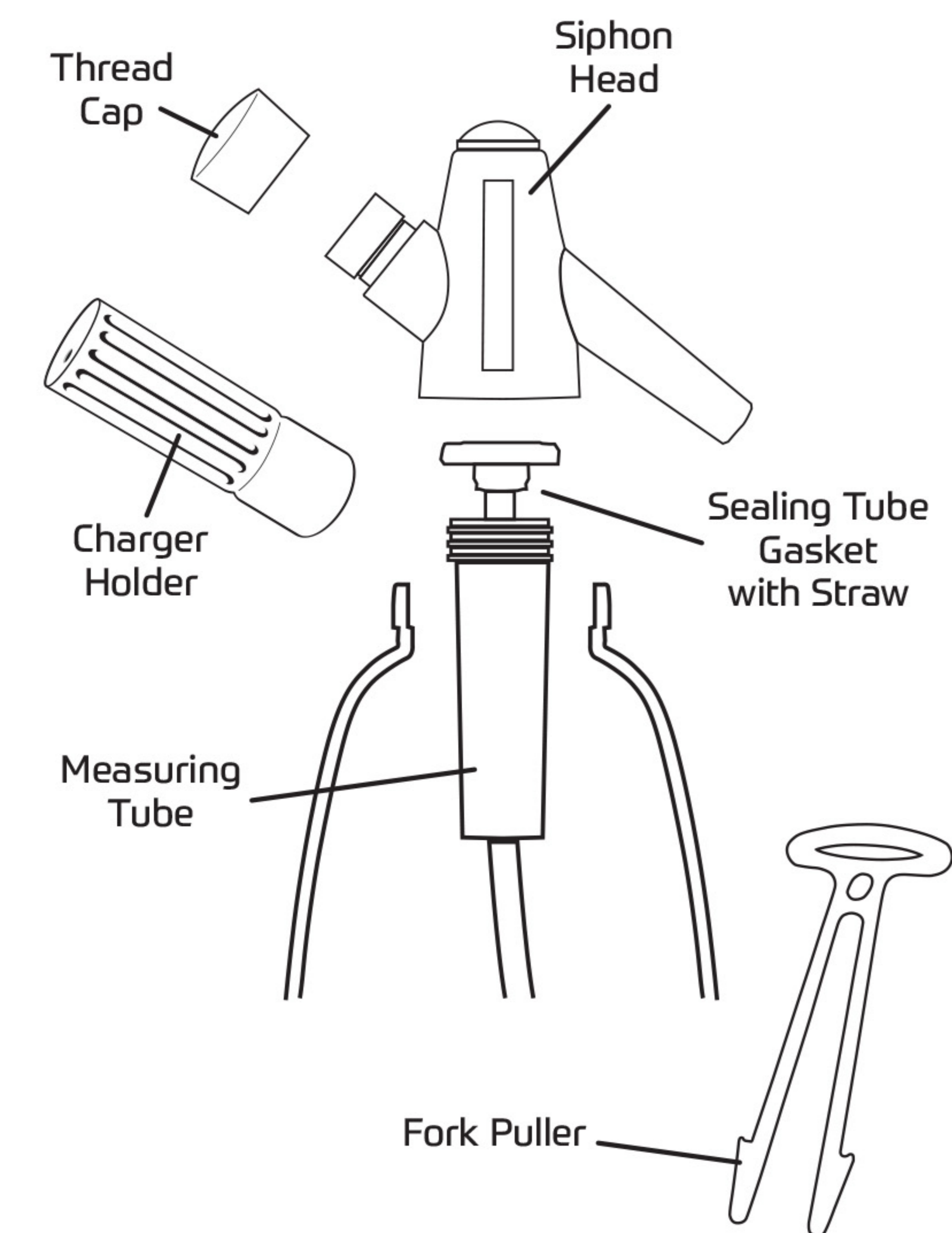
Defective soda siphon caused by faulty materials or bad workmanship will be repaired free of charge within two years of the date of purchase. Limited Lifetime Warranty applies for stainless steel models only. This warranty does not cover malfunction due to improper use, use of damaged parts, or any consequential damage. In order to assure the proper functioning of your soda siphon, only use original Whip-It! Brand parts and chargers. Please read the instructions carefully. For more information, call **800.500.0583** or visit **www.whipitbrand.com**



Thank you for choosing the Whip-It! Brand soda siphon. This elegant and stylish accessory is perfect for any kitchen, tabletop or bar. Add sparkle to seltzer water and a multitude of other drinks by mixing syrups, juices or alcoholic drinks to deliver a superior taste. Discover the refreshing fizz of your favorite beverage!

Before using the soda siphon, please read the following information carefully.

PARTS LIST



SODA SIPHON TROUBLESHOOTING

Maximum number of chargers to use for siphon size

Never use more chargers than specified. One charger is required for filling 1-liter soda siphons.

Contents are not emptying out of the soda siphon

To dispense, hold upright and gently squeeze the lever to release the carbonated contents into a glass. Always dissolve any solids (i.e. sugar) first before filling the bottle. Do not mix other ingredients inside such as syrups or juices. Those can be prepared separately in a drinking glass or pitcher. Avoid using (or strain out) any insoluble ingredients such as seeds and pulp, as they will prevent closure of the piston valve and impair proper functioning of the siphon. **Please note only the stainless-steel models are suitable for carbonating liquids other than flavored water, such as juices and alcohol.**

Soda siphon was overfilled

Release the gas from the siphon then pour out the excess contents. Fill again but DO NOT exceed the maximum fill line on the bottle.

Soda charger has not been pierced

- Charger was inserted incorrectly. Please refer to the instructions diagram for a visual.
 - Always follow safety warnings on the soda charger box packaging.
- Charger might be another brand and is not compatible.
 - Always use original Whip-It Brand soda chargers.
- Piercing unit is not working properly. Contact our Customer Service Department at **800.500.0583** or visit **whipitbrand.com**.

Head of the siphon is pressurized and cannot be removed

- Release the gas from the siphon by placing the siphon head upwards, holding a towel over the dispensing tip, and press the lever. Always empty the bottle of contents and gas pressure before unscrewing the head.

Siphon is releasing pressure

- Check to see if the head is inserted correctly, not damaged, and thoroughly cleaned.
- Make sure the soda charger was properly screwed on with all threads aligned.
- Inspect the Sealing Tube Gasket with Straw to ensure that it has not been damaged or missing.

Soda siphon is releasing water after charger is screwed on

Do not fill the bottle without first inserting the measuring tube. Make sure that the measuring tube is secured properly on the neck of the bottle. You will notice that the bottle is full when water spills out of the measuring tube. This means there is too much water. Only fill the bottle to the Fill Line or the bottom of the Measuring Tube. DO NOT exceed the maximum Fill Line on the bottle. This will ensure the proper pressure between gas and water.

Soda siphon does not have any carbonation

Observe the following steps when preparing your soda water:

- Make sure you fill the bottle with chilled water. Cold water works best for carbonation. Warm water results in much less carbonation.
- To carbonate the water, screw the soda charger on and shake the siphon briskly 4–5 times in a vertical motion. Continuously mix gas and water for best carbonation results.

Can juices or alcohol be put into the soda siphon

Only the stainless-steel models are suitable for carbonating liquids other than flavored water.

What to do with used empty soda chargers

DO NOT reuse empty soda chargers. Please dispose immediately.

Soda Siphon parts from other brands is not recommended

In order to assure the proper functioning of your product, use only original Whip-It! Brand parts and chargers. Never combine parts with other manufacturers' products. Do not attempt to make any modifications or repairs to the siphon. Any attempts or improper manipulation of the soda siphon will terminate all guarantees and warranty.

Missing a part of the siphon

Check to see if the bottom of the product's box contains additional parts. If you still cannot locate the part, please contact our Customer Service Department.

Warranty/Repairs

Please contact our Customer Service Department so we can assist you with repairing or replacing your product in accordance with our warranty.

Other issues, questions or concerns

You can visit our Customer Support page at **whipitbrand.com**, call our Customer Service Department at **800.500.0583** or email **support@unitedbrands.us**.

Please have the following information ready to provide to our Customer Service Department:

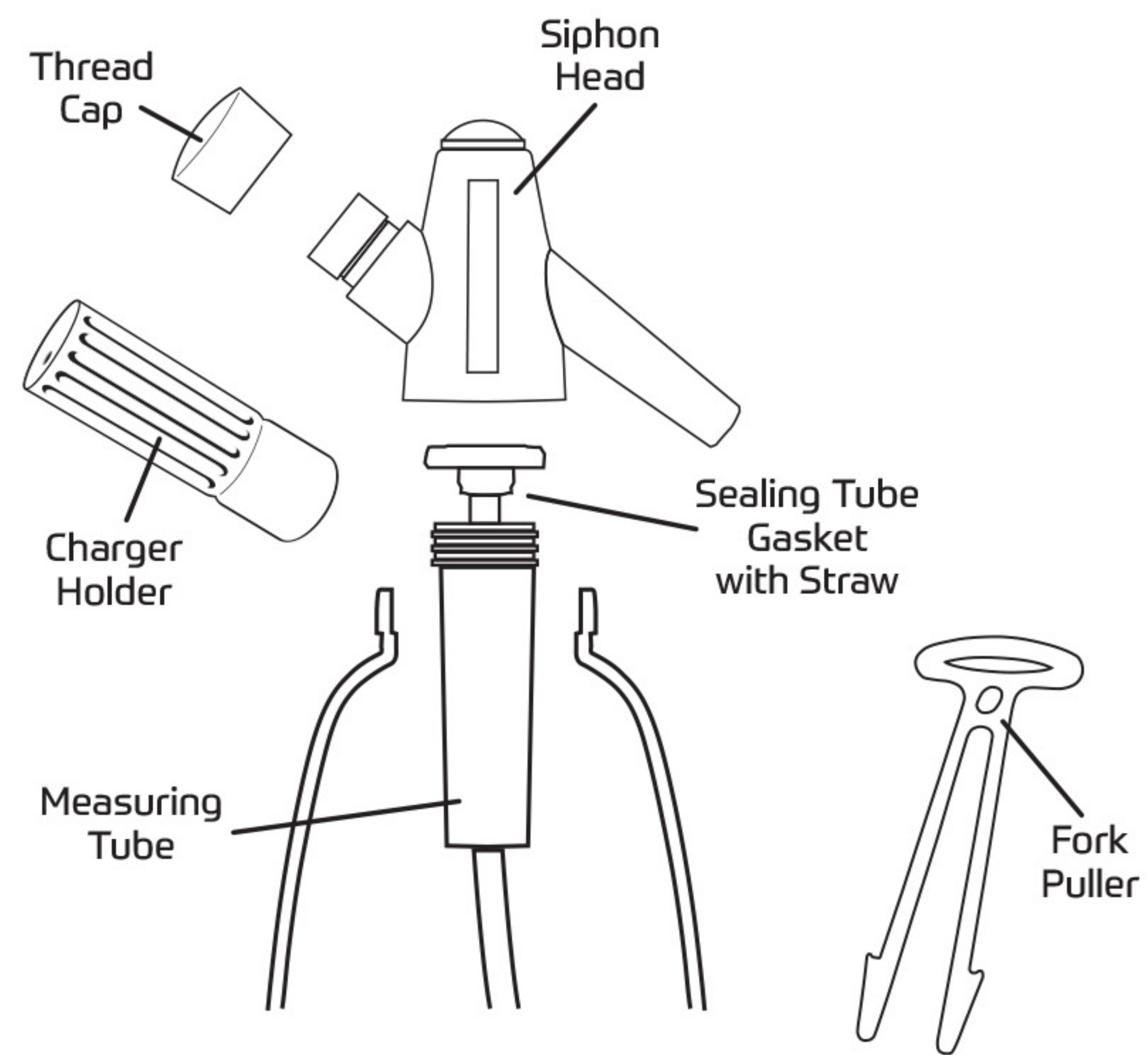
- Model number (this is usually located on the bottom of the product)
- How long have you had the product? You may use your purchase date for reference.
- If the issue is because of a part, please take a photograph of the part so that it can be emailed to our Customer Service Department for clarity.

WARNINGS

Failure to adhere to the following important safety instructions may result in serious permanent injury or death.

- Please take extra precaution when handling the soda siphon and chargers as they are both pressurized vessels.
- Use only Whip-It! Brand original spare parts. Never combine parts from other Whip-It! Brand products or parts from other manufacturers. For spare parts, please contact Whip-It! Brand at **800.500.0583** or visit **whipitbrand.com**.
- For best results, always use Whip-It! Brand chargers in the siphon.
- Do not attempt to make any modifications or repairs to the soda siphon. Any such attempts or improper manipulation of the soda siphon will terminate all guarantees and warranty.
- Never use the siphon if it has been dropped or damaged (i.e. cracked or dented). Always send the Whip-It! Brand soda siphon back for a safety check and/or repair. For repairs, always return the complete unit (head and bottle).
- Do not use force when assembling the components, such as screwing on or off the head.
- Only open the siphon once all the pressure has been released. Press the lever until the hissing sound stops. Under no circumstances, do not attempt to unscrew the head while the siphon is still pressurized.
- Do not turn the siphon over while charging. Never overfill the siphon or use more chargers than specified. **Use one charger max for 1-liter soda siphon.**
- Do not expose the Whip-It! soda siphon to heat (i.e. sun, stove, oven, microwave, etc.).
- When cleaning, only remove the parts shown in the Parts List. Do not use special cleaning agents for stainless steel, scouring agents, or abrasive sponges/brushes.
- Keep this unit out of reach of children at ALL times.

SODA SIPHON USE INSTRUCTIONS

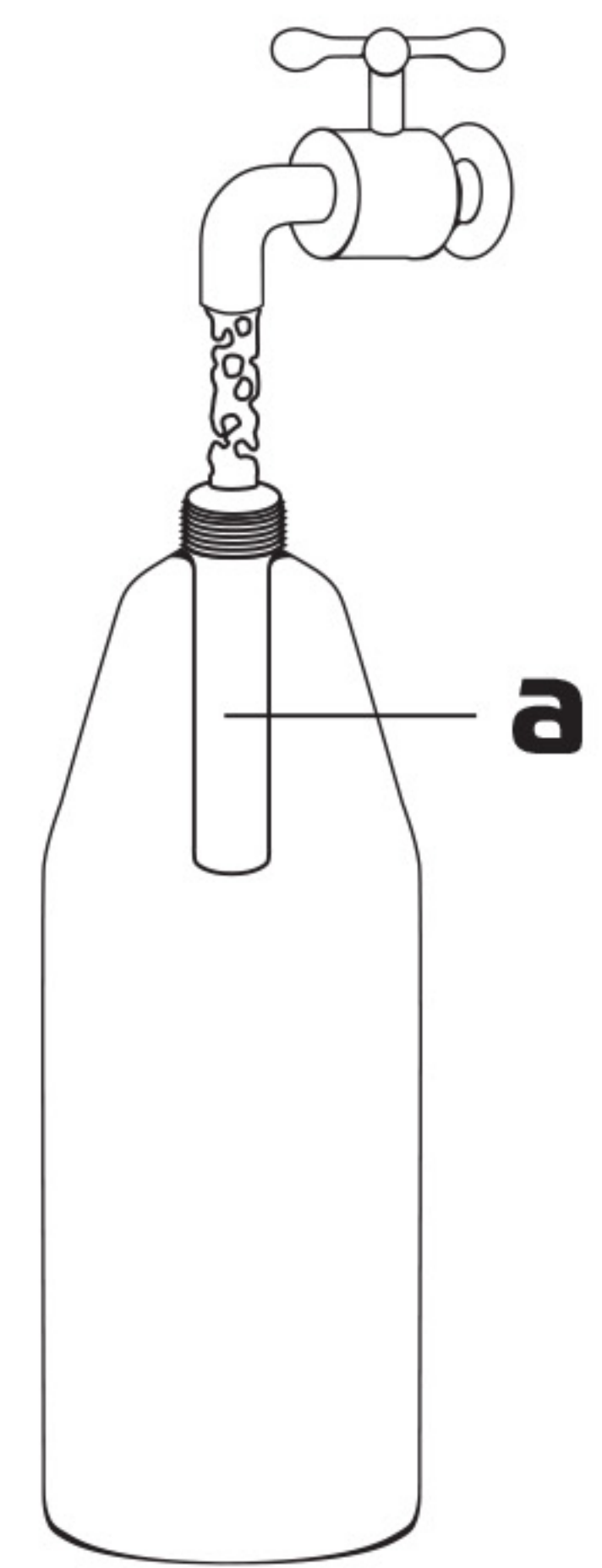


1

Place the measuring tube (Fig. 1a) inside the bottle neck until it is secure.

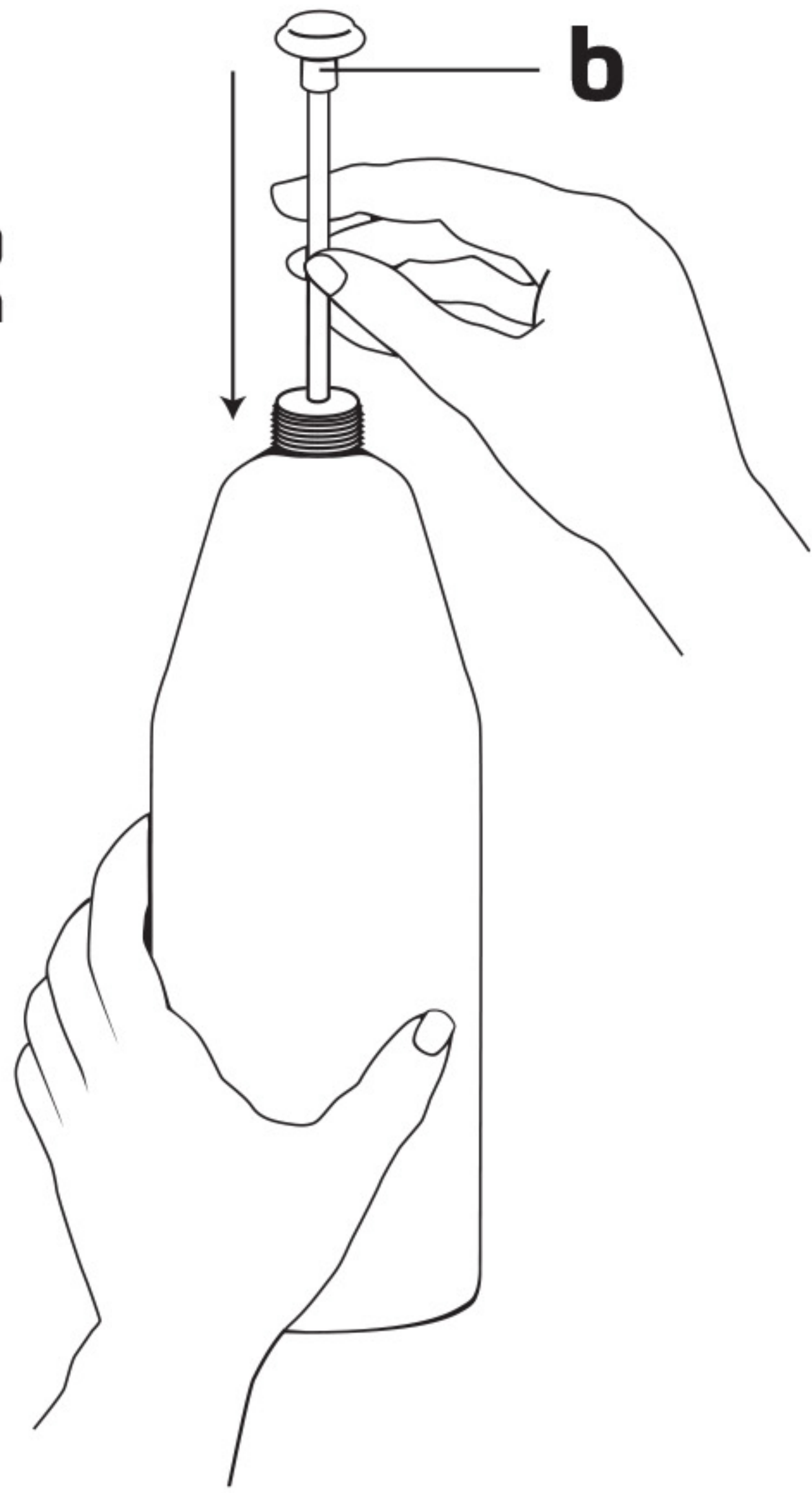
Fill with well-chilled drinking water up to the fill line (colder temperatures give best results for product carbonation).

Do not mix other ingredients inside such as syrups or juices as this will cause damage to the device.



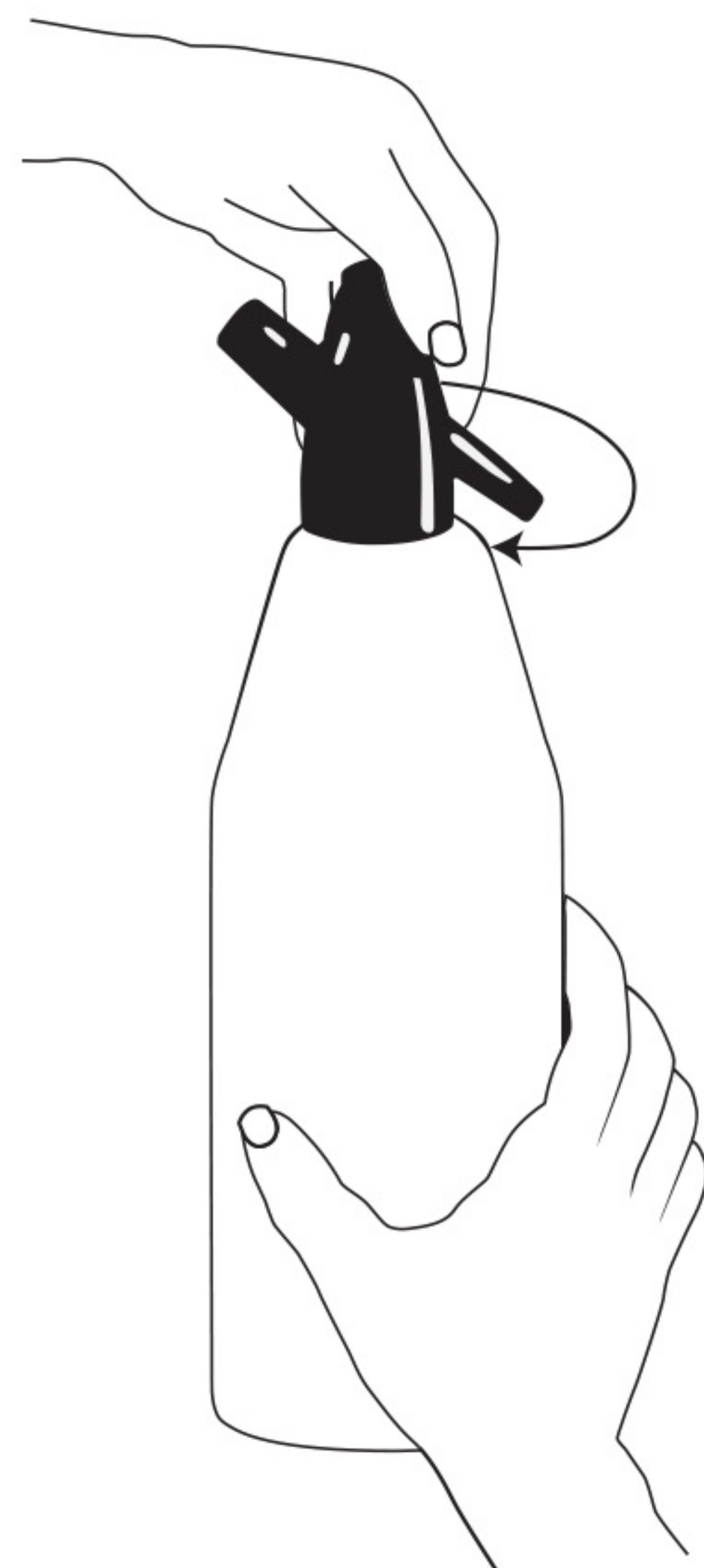
2

Place the sealing tube gasket with straw (Fig. 2b) inside the bottle neck.



3

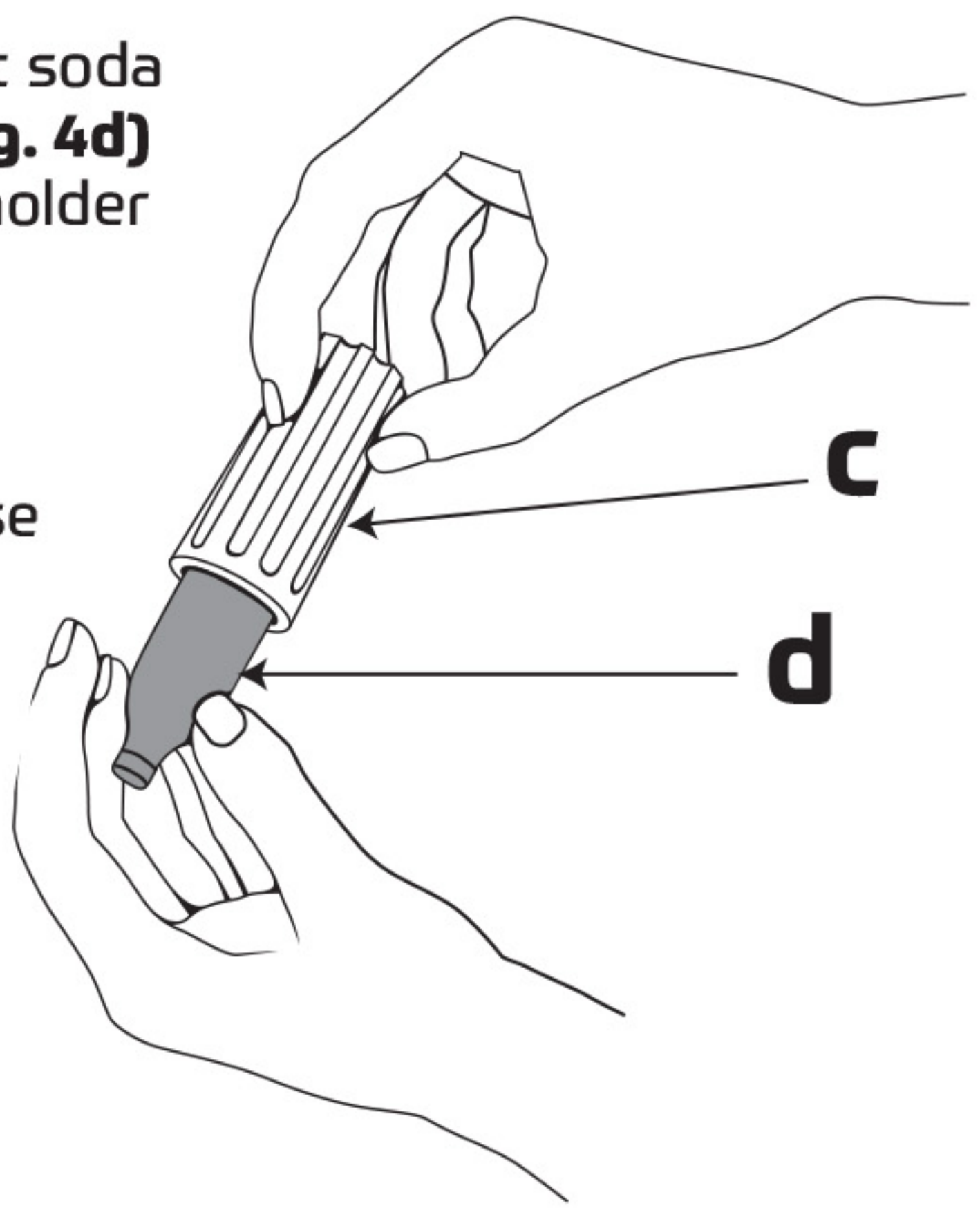
Screw the head onto the bottle firmly and evenly until no thread is visible.



4

Insert one Whip-It soda charger (CO2) (Fig. 4d) into the charger holder (Fig. 4c).

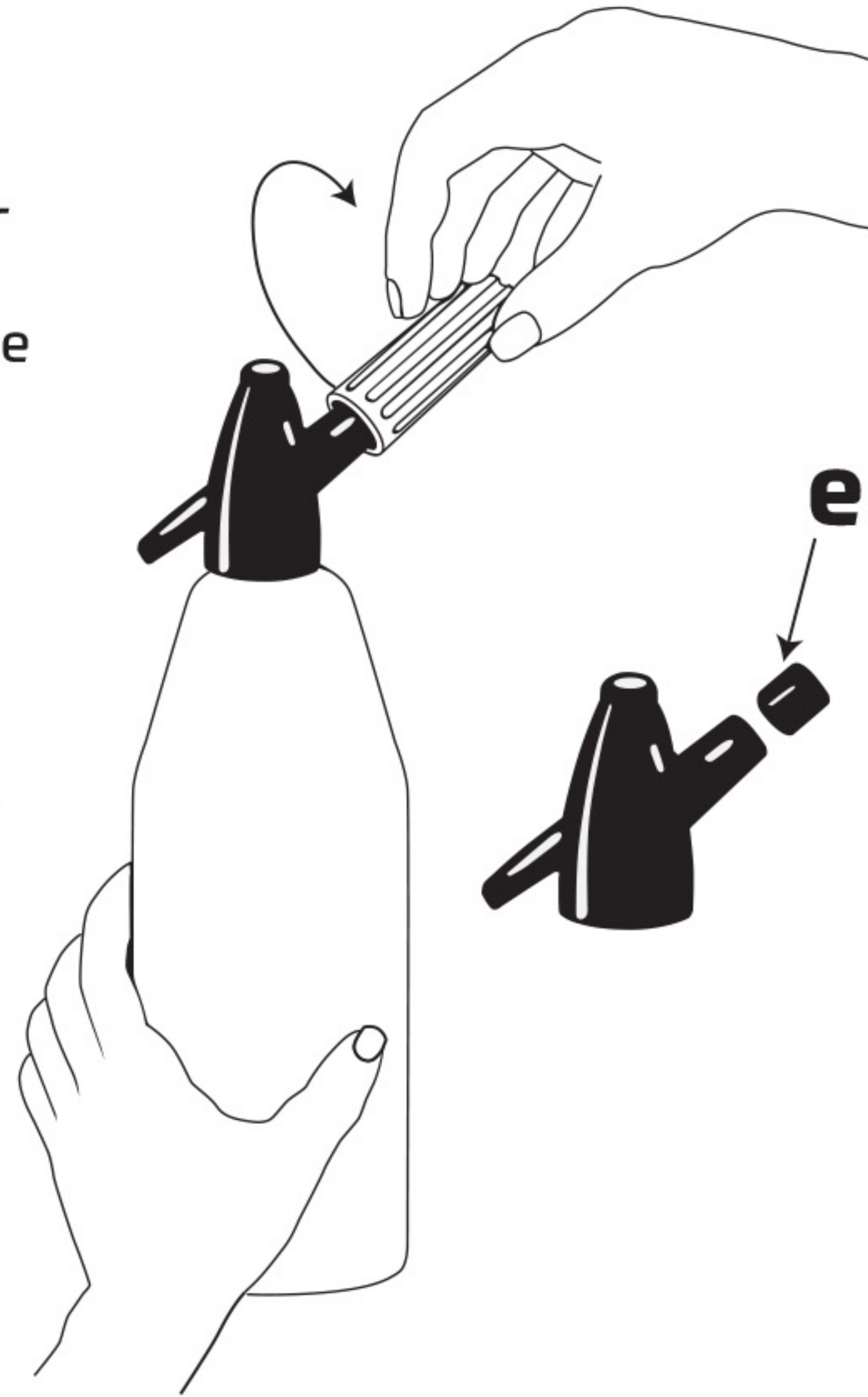
Use one charger for 1-liter soda siphons. Never use more chargers than specified.



5

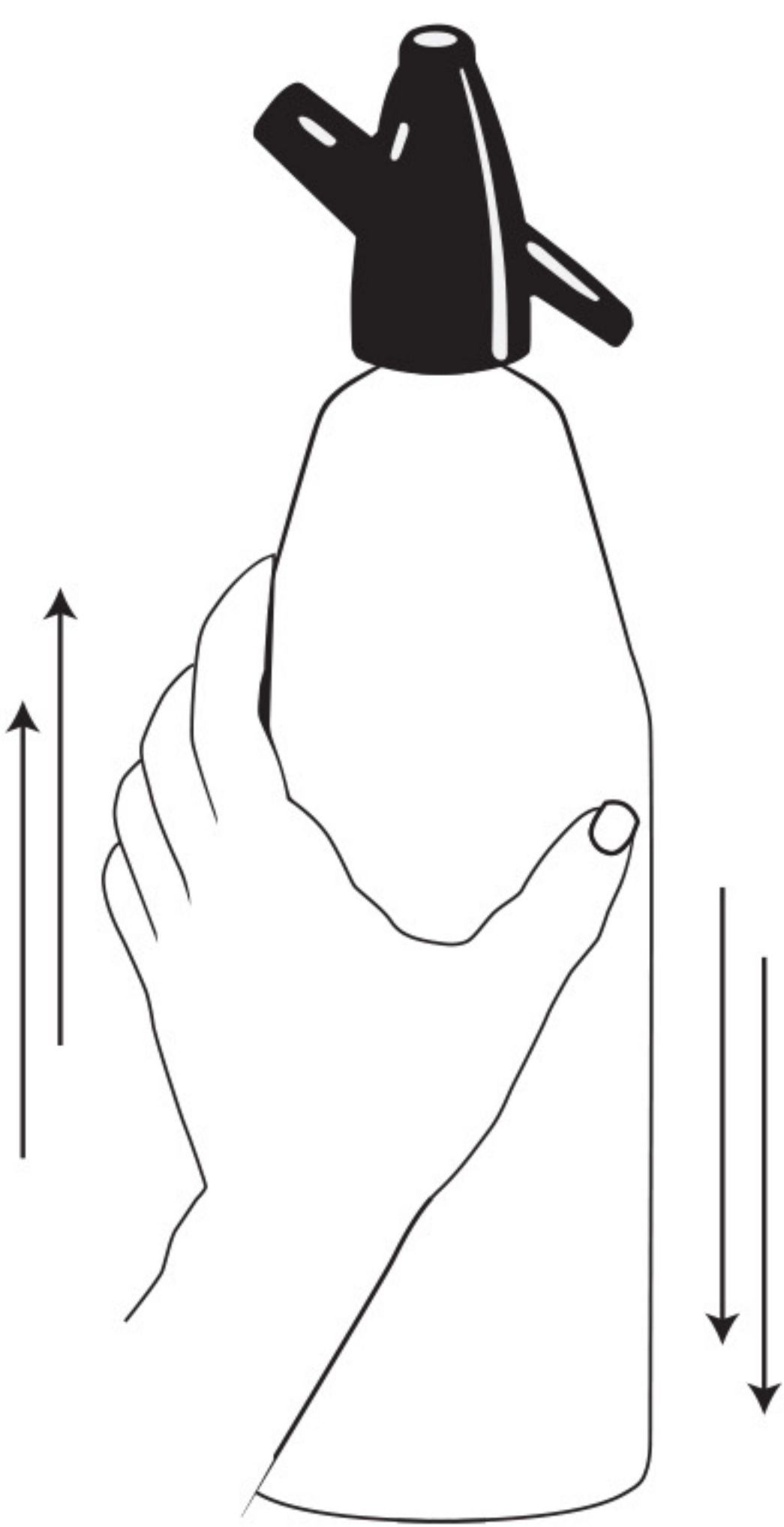
Screw the charger holder onto the inlet valve until the charger content is released with a hissing sound (siphon is now pressurized).

Remove soda and charger holder and place protective thread cap on (Fig. 5e). A light hissing sound while unscrewing is normal.



6

Shake siphon briskly four to five times in a vertical direction.



7

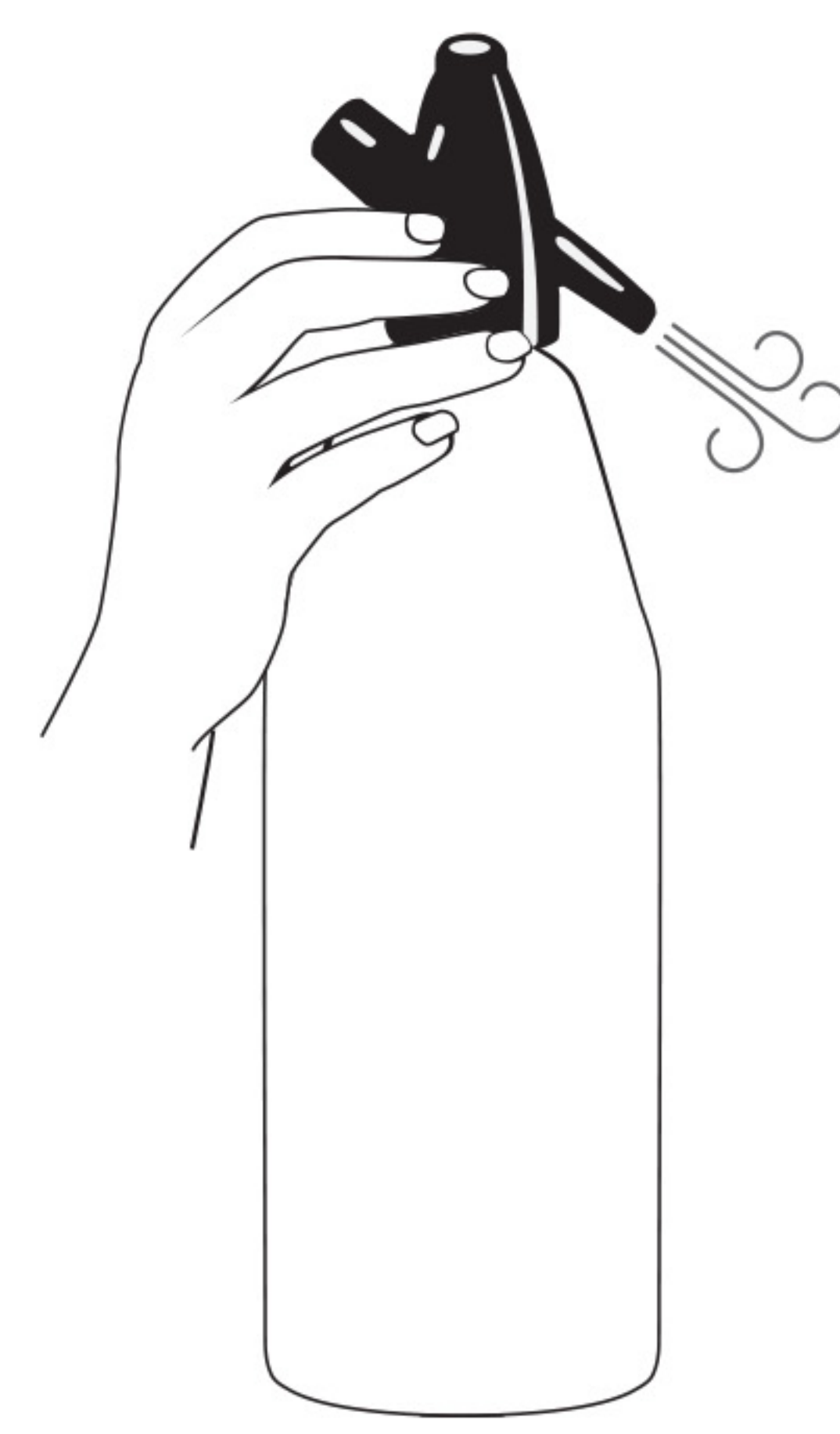
To dispense, gently press lever to release carbonated contents.



SODA SIPHON CLEANING INSTRUCTIONS

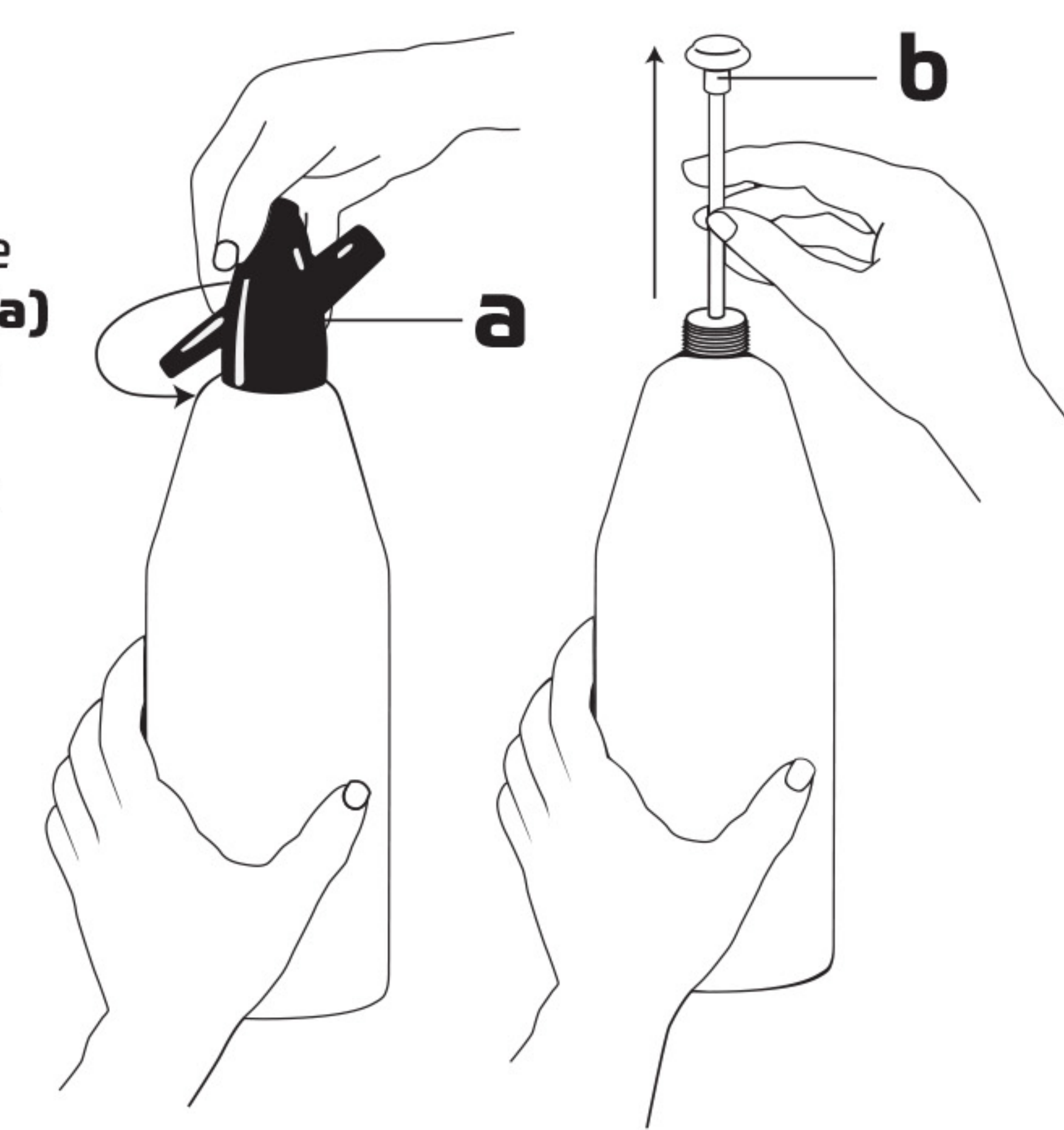
1

Squeeze lever to assure all remaining pressure is released.



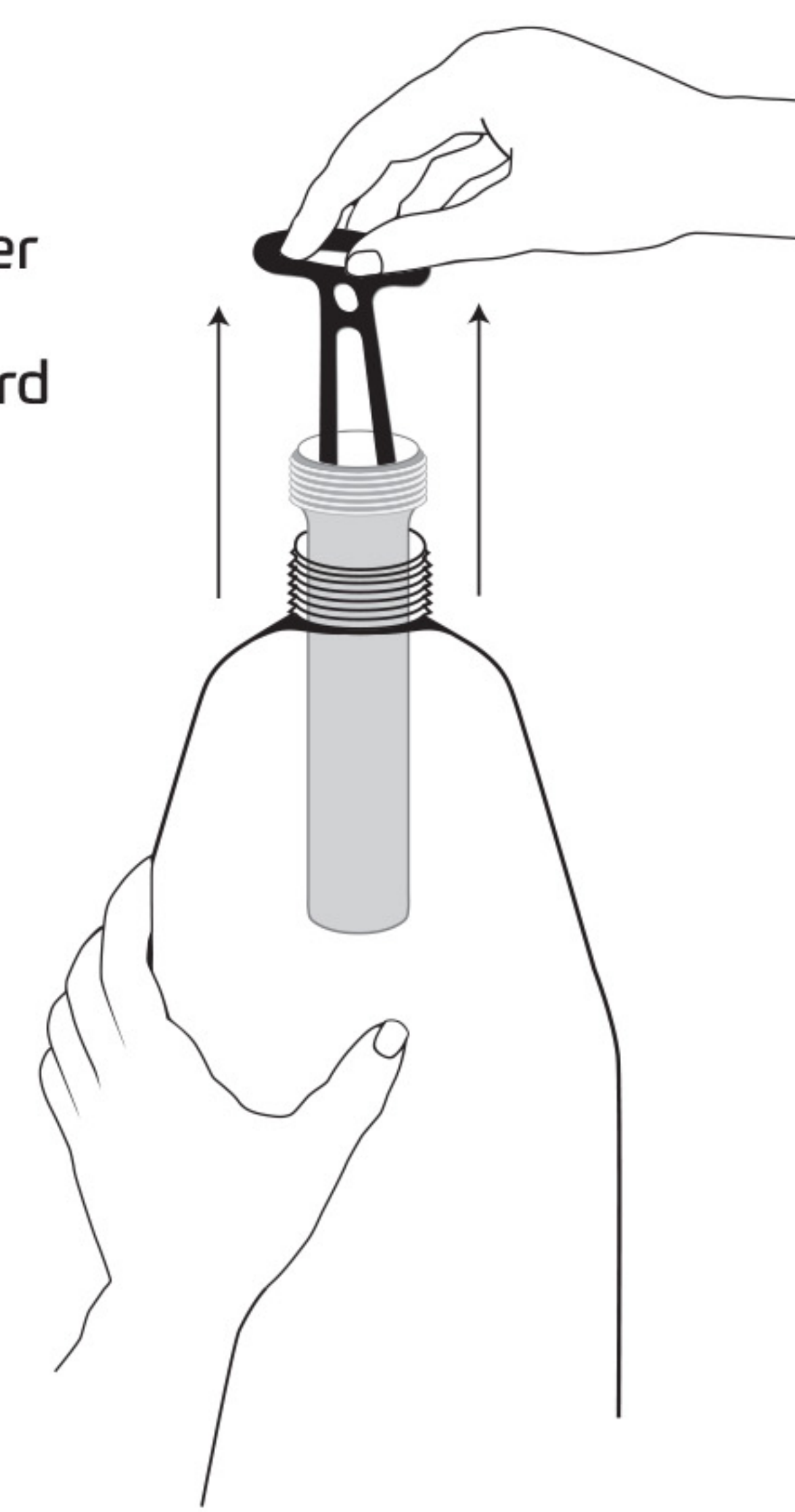
2

Unscrew the head (Fig. 2a) and remove the sealing tube gasket with straw (Fig. 2b).



3

Insert the fork puller into the measuring tube and pull upward to remove from the bottle.



4

Hand Wash Only

Do not use special cleaning or scouring agents, or abrasive sponges/brushes on any of the siphon parts.

Thoroughly clean each individual component with warm water and mild detergent.



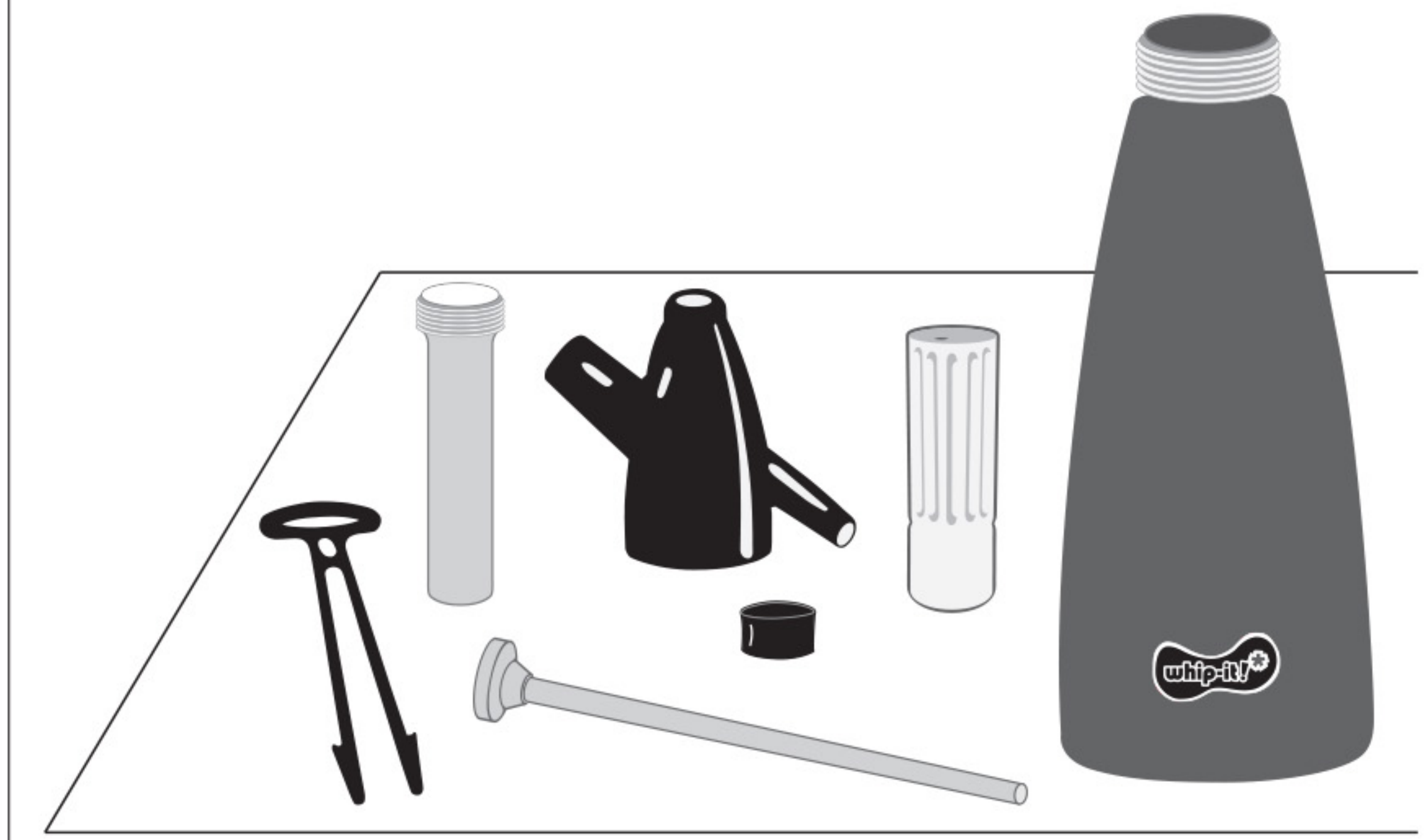
4

Do not use special cleaning or scouring agents, or abrasive sponges/brushes for any of the soda siphons.



5

Allow parts to air dry and store head and bottle separately.



6

It is advisable that you keep your Whip-It Soda Siphon in the refrigerator (never in the deep-freezing compartment or the freezer). The cold temperature produces the best results for carbonation.



Learn more about our entire line of Whip-It products!

